

## CORRIGENDA

**Corrigendum to Council Directive 84/532/EEC of 17 September 1984 on the approximation of the laws of the Member States relating to common provisions for construction plant and equipment**

*(Official Journal of the European Communities No L 300 of 19 November 1984)*

Page 111, penultimate paragraph, first line :

*for:* '... different ...',

*read:* '... effect ...'.

Page 112, Article 2, first clause :

*for:* '... to the requirements harmonized under the relevant separate Directives;',

*read:* '... to the harmonized requirements under this Directive and under the relevant separate Directives;'.

Page 112, Article 2, second clause :

*for:* '... to the harmonized requirements under this Directives;',

*read:* '... to the harmonized requirements under this Directive and under the relevant separate Directives;'.

Page 112, Article 4 (1), third line :

*for:* '... planing ...'

*read:* '... placing ...'.

---

**Corrigendum to Council Directive 84/534/EEC of 17 September 1984 on the approximation of the laws of the Member States relating to the permissible sound power level of tower cranes**

*(Official Journal of the European Communities No L 300 of 19 November 1984)*

Page 136, point 8.1.1 :

The third line is replaced by the following :

$$L_{pi} = 10 \log_{10} \frac{1}{t_r + t_f} (t_r \cdot 10^{0,1L_{1i}} + t_f \cdot 10^{0,1L_{2i}})$$

Page 139 :

This page is replaced by the following :

Arrangement of the measuring points (1 to 6) where the lifting mechanism is located on the jib stay.

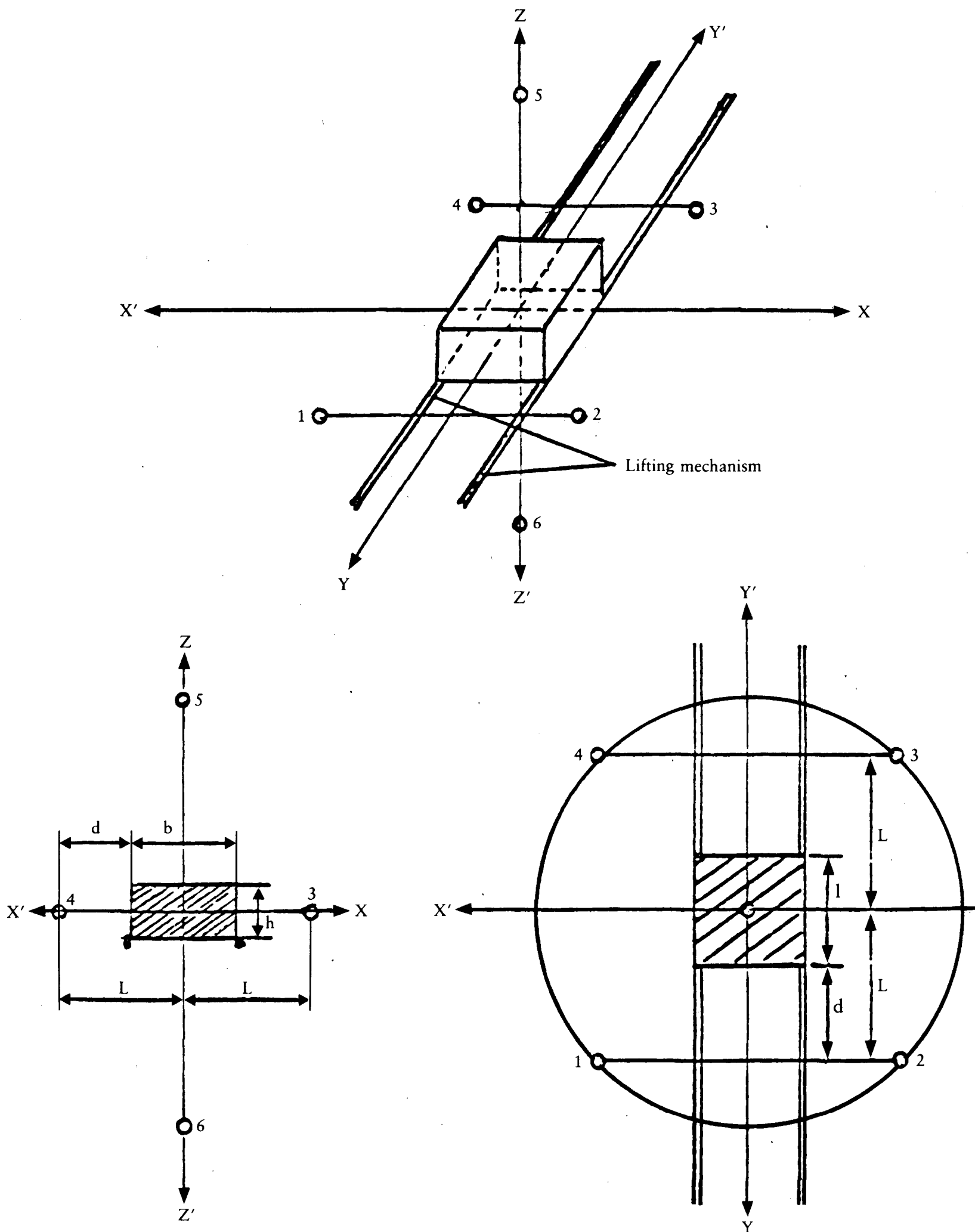


Figure 3