

1990 No. 704

ROAD TRAFFIC

The Traffic Signs (Amendment) Regulations 1990 and
the Traffic Signs (Amendment) General Directions 1990

<i>Made</i> - - - -	<i>22nd March 1990</i>
<i>Laid before Parliament</i>	<i>26th March 1990</i>
<i>Coming into force</i> -	<i>13th April 1990</i>

The Secretary of State for Transport, the Secretary of State for Scotland and the Secretary of State for Wales, acting in the manner and in the exercise of powers specified in the Appendix to this instrument, hereby—

- (a) after consultation with representative organisations in accordance with section 134(2) of the Road Traffic Regulation Act 1984(a) make the Regulations set out in Part I, and
- (b) give the Directions set out in Part II,
of this Instrument.

PART I

THE TRAFFIC SIGNS (AMENDMENT) REGULATIONS 1990

1. These Regulations may be cited as the Traffic Signs (Amendment) Regulations 1990 and shall come into force on 13th April 1990.
2. The Traffic Signs Regulations 1981(b) shall be further amended in accordance with these Regulations.
3. In regulation 5 after paragraph (4) there shall be added—
“(5) Any reference in these Regulations to a numbered direction is a reference to the paragraph bearing that number in the Traffic Signs General Directions 1981(c).”
4. In regulation 25(2A) (use on road markings of reflecting material) for “diagram 1060” there shall be substituted “diagrams 1060, 1060.1, 1061 and 1061.1”.
5. In Part I of Schedule 1 (warning signs)—
 - (a) in the indication below diagram 547.5 for the words from “constructed” to the end there shall be substituted “constructed and maintained in accordance with regulation 5(2) of the Highways (Road Humps) Regulations 1990(d)”; and

(a) 1984 c.27. For the meaning of “the Ministers” in s.134(2), see s.142(1).
(b) S.I. 1981/859, Pt. I; relevant amending instrument is S.I. 1983/1088.
(c) S.I. 1981/859, Pt. II.
(d) S.I. 1990/703.

(b) after diagram 547.5 there shall be inserted diagram 547.6 and the indication below that diagram as set out in Schedule 1 to these Regulations.

6. In Schedule 2 (markings on the road)—

(a) for diagram 1060 and the indication below that diagram there shall be substituted diagram 1060 and the indication below that diagram as set out in Schedule 2 to these Regulations; and

(b) after diagram 1060 and the indication below that diagram as substituted by paragraph (a) there shall be added diagrams 1060.1, 1061 and 1061.1 and the indications below those diagrams as set out in Schedule 2 to these Regulations.

7.—(1) This regulation applies to any traffic sign placed on a road which immediately before the coming into force of these Regulations—

(a) is the sign shown in diagram 1060 as prescribed by the Traffic Signs Regulations 1981 as amended by the Traffic Signs (Amendment) Regulations 1983(a) (“the 1981 Regulations as amended”); and

(b) complies with the 1981 Regulations as amended.

(2) Any traffic sign referred to in paragraph (1), so long as it continues to comply with the 1981 Regulations as amended as though they had not been further amended by these Regulations, shall be treated as if prescribed by these Regulations, notwithstanding any provision of these Regulations to the contrary.

(3) This regulation shall cease to have effect two years after the coming into force of these Regulations.

(a) S.I. 1983/1088.



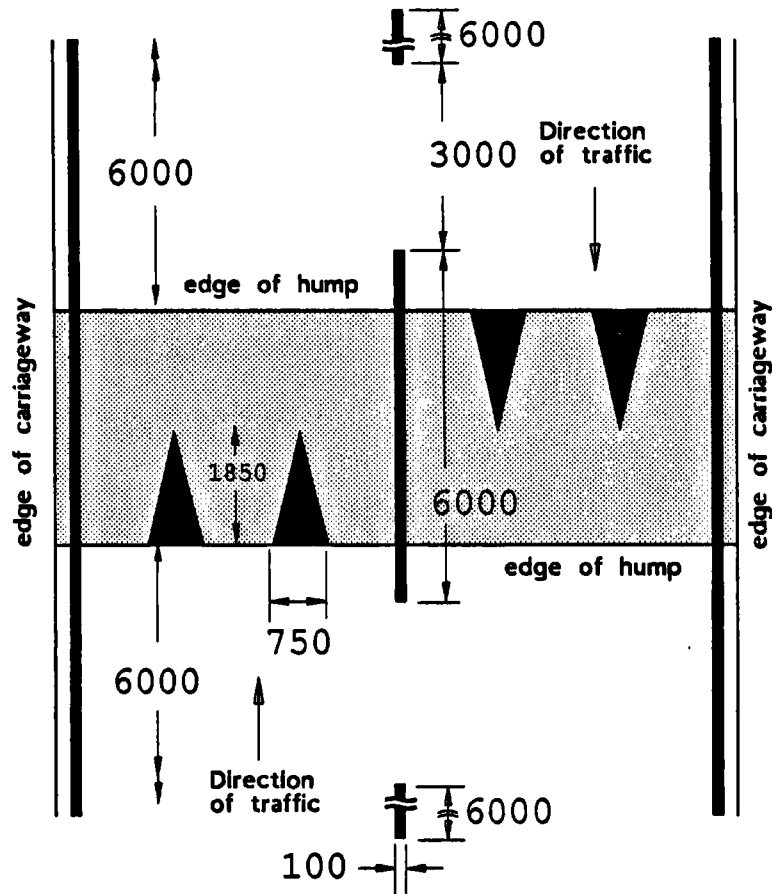
(Black on White)

Plate for use with sign in diagram 543 in a case where a road hump is constructed and maintained in accordance with regulation 5(4) of the Highways (Road Humps) Regulations 1990 within the limits of a "Pelican" Crossing as defined in the "Pelican" Pedestrian Crossings Regulations and General Directions 1987(a).

(See direction 12)

547.6

(a) S.I. 1987/16.

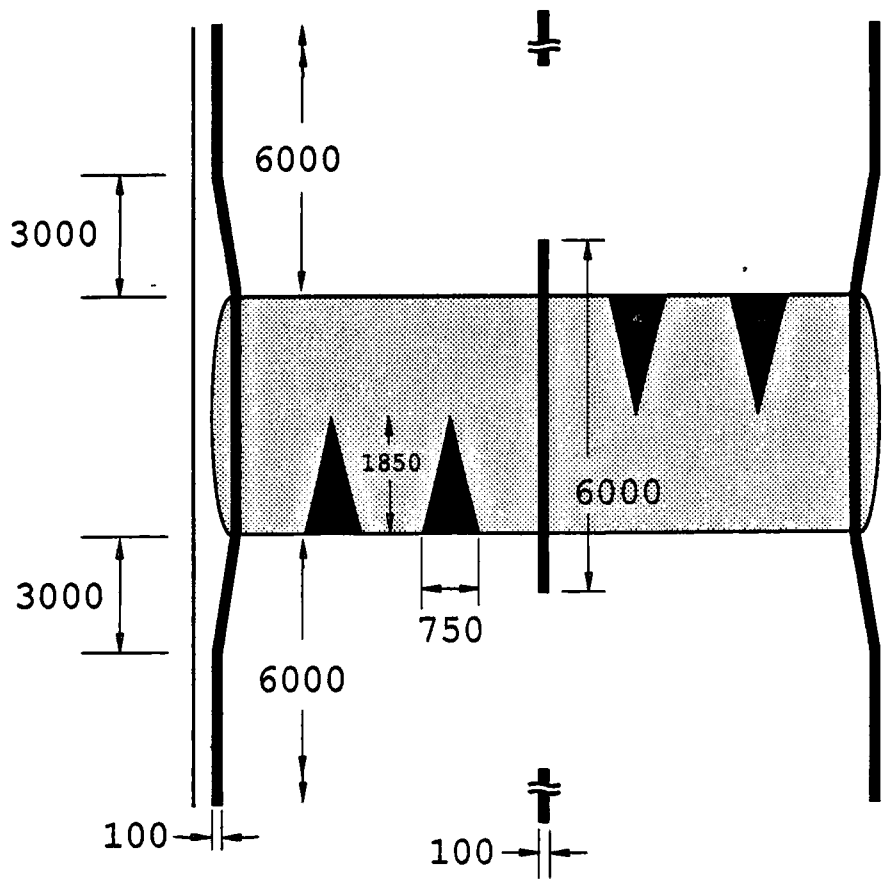


To indicate to vehicular traffic the presence of a round top road hump extending across the whole width of the carriageway

Permitted variant:

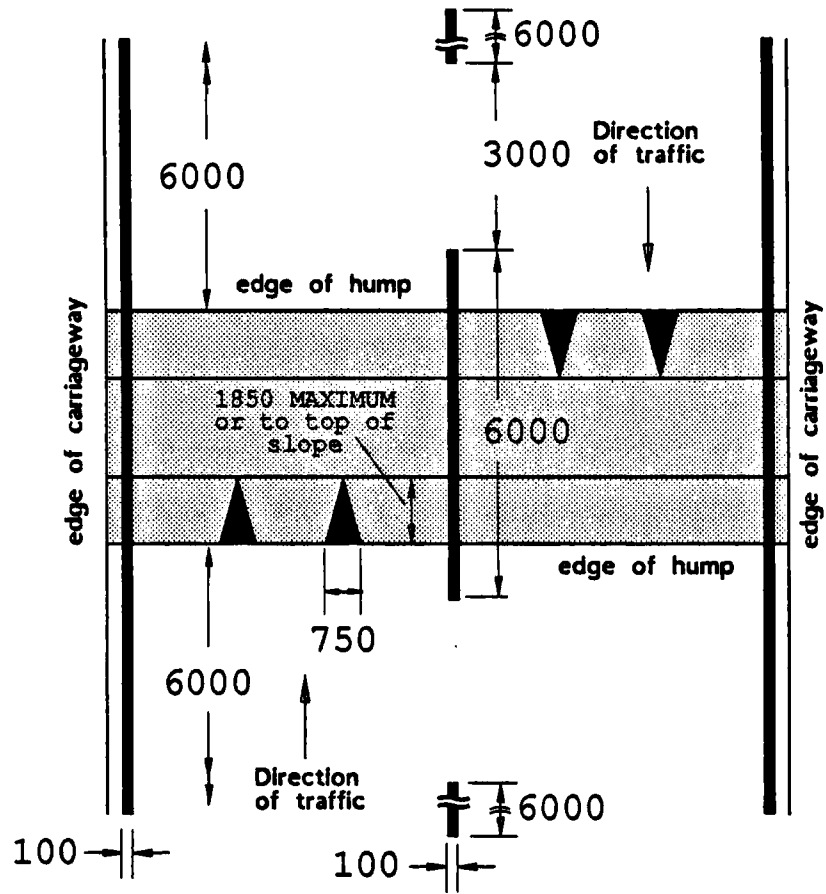
the longitudinal line adjacent to the edge of the carriageway may be omitted when the longitudinal line in diagram 1017 or 1018 is placed in the position of that line

1060



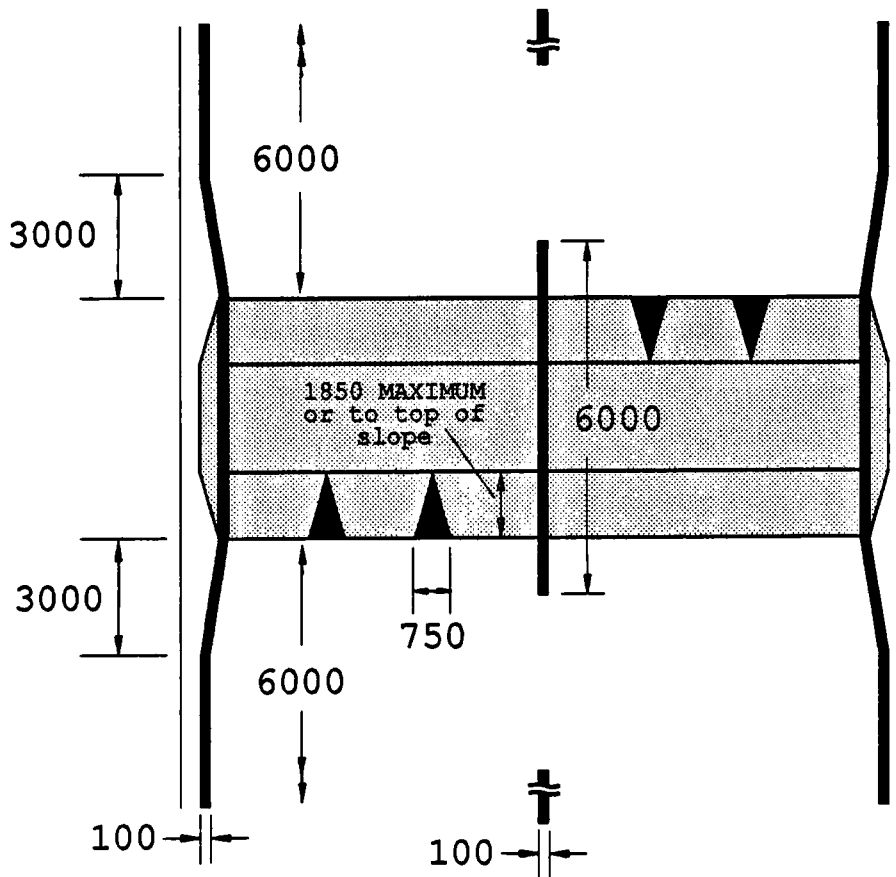
To indicate to vehicular traffic the presence of a round top road hump with tapered ends

1060.1



To indicate to vehicular traffic the presence of a flat top road hump extending across the whole width of a carriageway
 Permitted variant: see 1060

1061



To indicate to vehicular traffic the presence of a flat top road hump with tapered ends

1061.1

PART II

THE TRAFFIC SIGNS (AMENDMENT) GENERAL DIRECTIONS 1990

1. These Directions may be cited as the Traffic Signs (Amendment) General Directions 1990 and shall come into force on 13th April 1990.
2. The Traffic Signs General Directions 1981(a) shall be further amended by the substitution in paragraph 12 for "547.1 to 547.5" of "547.1 to 547.6".

21st March 1990

Cecil Parkinson
Secretary of State for Transport

22nd March 1990

Malcolm Rifkind
Secretary of State for Scotland

22nd March 1990

Peter Walker
Secretary of State for Wales

(a) S.I. 1981/859, Pt. II; relevant amending instruments are S.I. 1983/1086 and 1987/1706.

APPENDIX

EXERCISE OF POWERS

1. The Regulations in Part I of this instrument are made by the Secretary of State for Transport, the Secretary of State for Scotland and the Secretary of State for Wales acting jointly in exercise of the powers conferred upon them by section 64 of the Road Traffic Regulation Act 1984(a).

2. The Directions in Part II of this instrument are given by the said Secretaries of State acting jointly in exercise of the powers conferred on them by section 65 of the said Act of 1985(a).

EXPLANATORY NOTE

(This note is not part of the Instrument)

1. The Regulations in Part I of this instrument amend the Traffic Signs Regulations 1981 ("the 1981 Regulations") as follows.

- (a) They insert a plate ("Humped Pelican Crossing") to be used with the sign shown in diagram 543 (traffic signals ahead) in a case where a road hump is constructed and maintained in accordance with the Highways (Road Humps) Regulations 1990 ("the 1990 Regulations") within the limits of a "Pelican" crossing.
- (b) They substitute for diagram 1060 a new diagram which indicates a round top road hump extending across the whole width of a carriageway. Traffic signs which comply with the previous version of diagram 1060 shall be treated as complying with the 1981 Regulations as amended by these Regulations for 2 years.
- (c) They insert three new diagrams to indicate road humps as follows—
 - (a) diagram 1060.1 to indicate a round top road hump with tapered ends;
 - (b) diagram 1061 to indicate a flat top road hump extending across the whole width of a carriageway; and
 - (c) diagram 1061.1 to indicate a flat top road hump with tapered ends.
- (d) They insert a provision to clarify references to directions in the 1981 Regulations. Such references are to paragraphs in the Traffic Signs General Directions 1981.
- (e) There is a consequential amendment in respect of the use of reflecting material on the markings shown in diagrams 1060.1, 1061 and 1061.1. There is also an amendment to the indication below diagram 547.5 ("Humped Zebra Crossing") consequential on the coming into force of the 1990 Regulations.

2. Part II of this instrument amends direction 12 of the Traffic Signs General Directions 1981 so that the "Humped Pelican Crossing" plate shall only be used in combination with diagram 543 (traffic signals ahead).

(a) For the meaning of "the Ministers" in ss.64 and 65, see section 142(1).

£1.70 net

ISBN 0 11 003704 9

Printed in the United Kingdom for HMSO

850 WO746 C45 4/90 452/3 4235 46378 900564