

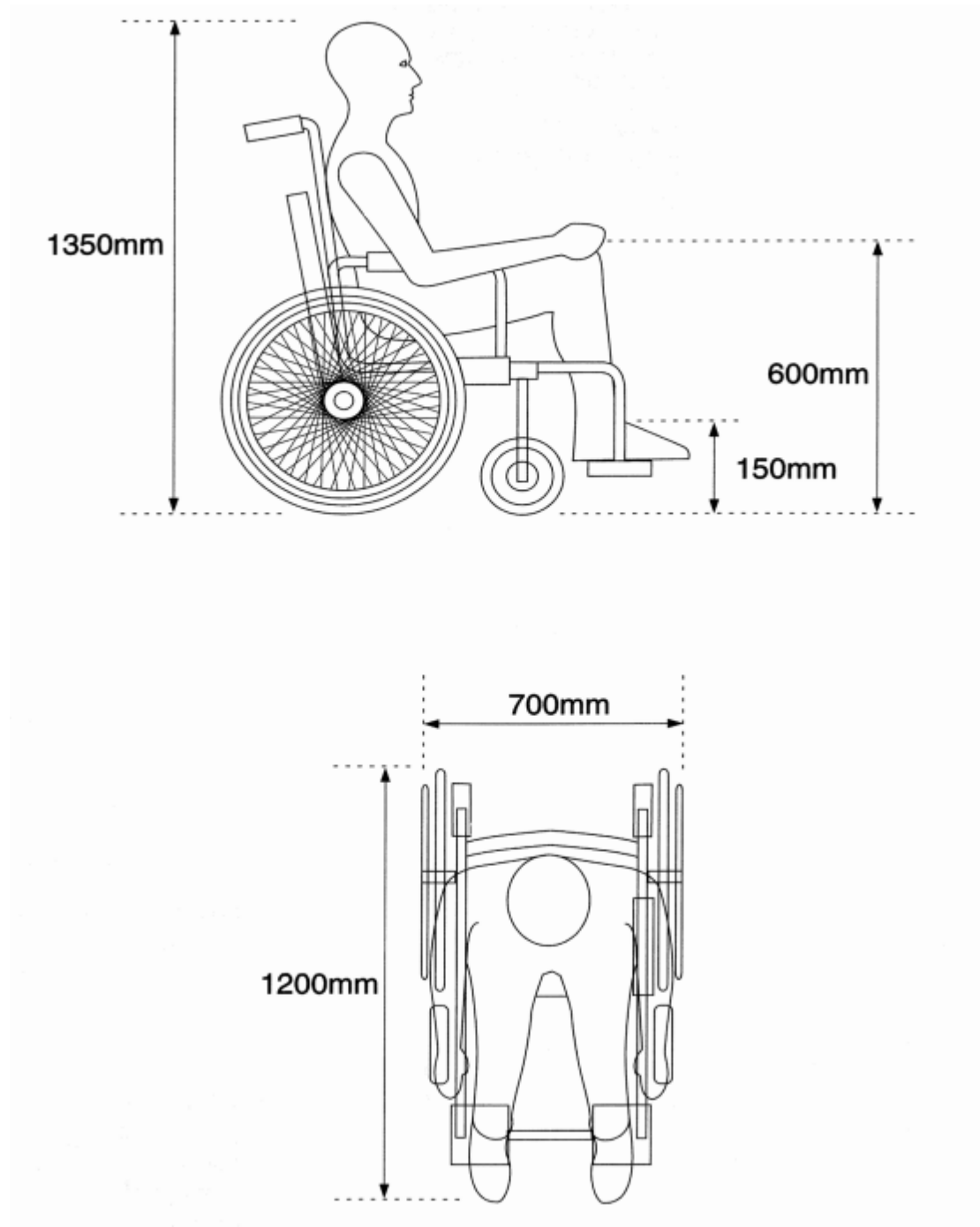
SCHEDULE 2

DIAGRAMS

(Note - diagrams are not to scale and measurements are given in millimetres)

Diagram A (reference wheelchair)

(Regulation 2(1))



Status: This is the original version (as it was originally made).

Diagram B (wheelchair sign)

(Schedule 1, paragraphs 6(3) and (4), 16(1) (a) and 20(7))

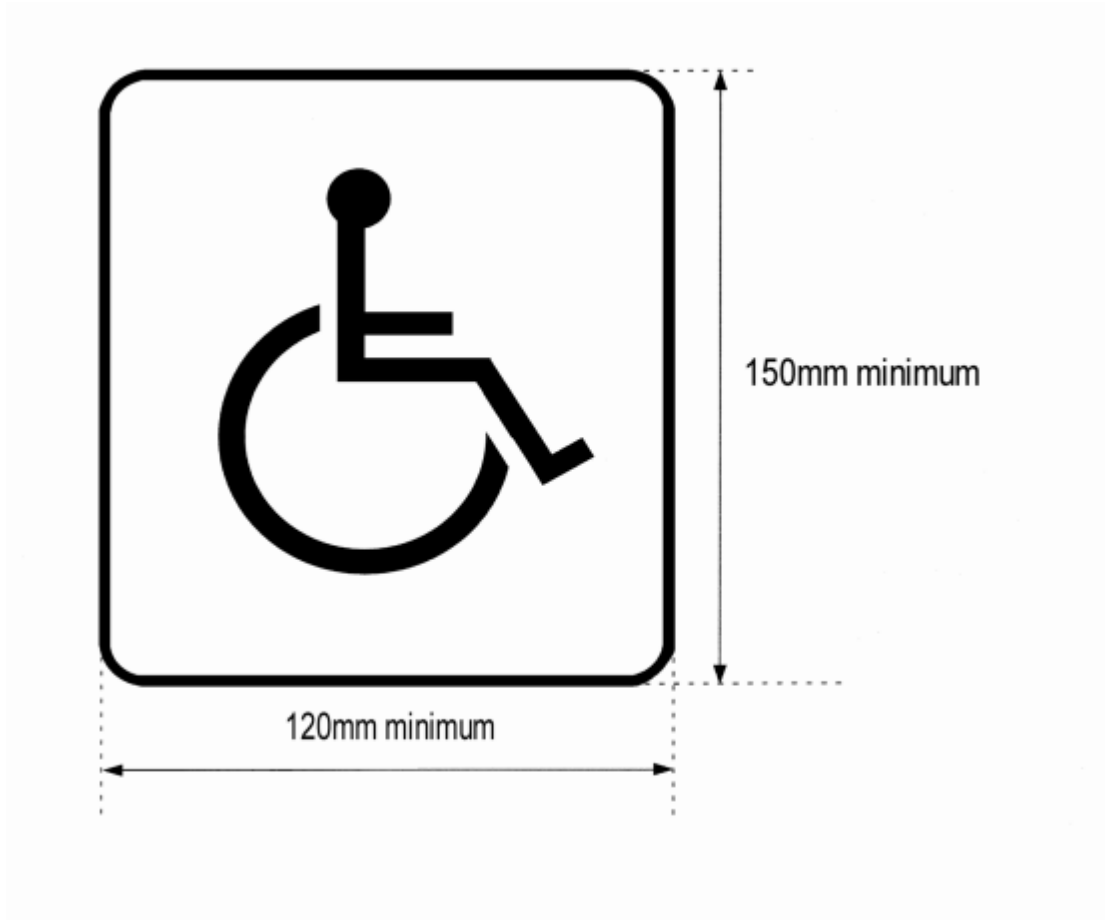


Diagram C1 (priority seat)

(Schedule 1, paragraph 13(3) and (7) (d))

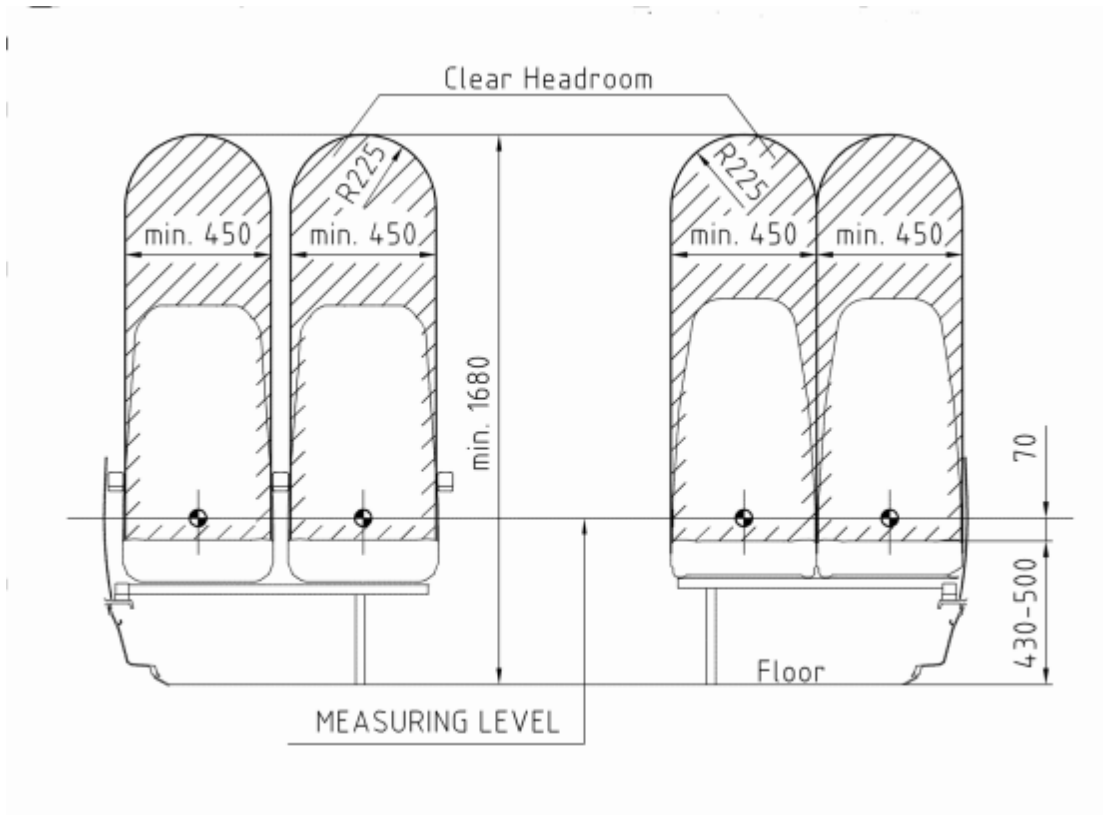


Diagram C2 (facing seats without table)

(Schedule 1, paragraph 13(3) and (7) (d))

Status: This is the original version (as it was originally made).

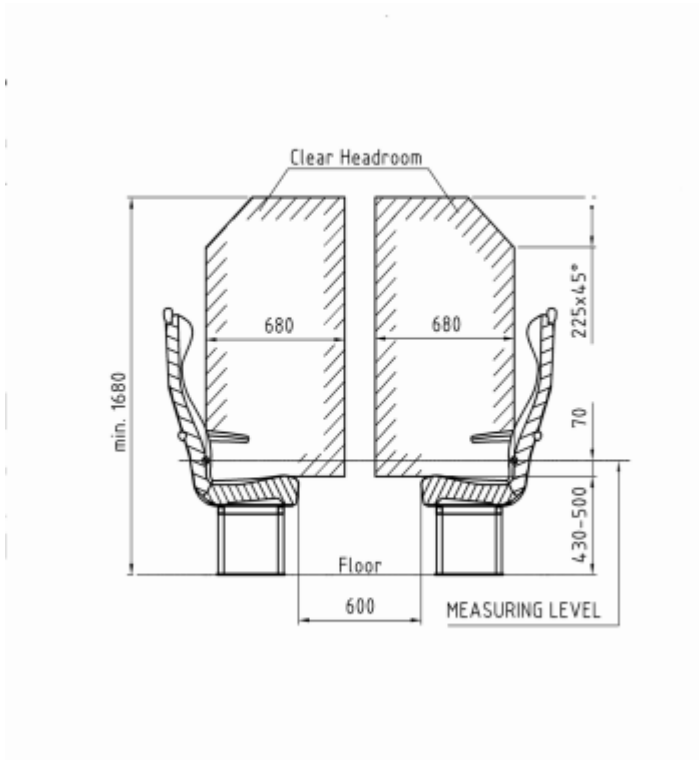


Diagram C3 (non facing seats)

(Schedule 1, paragraph 13(3) and (7) (d))

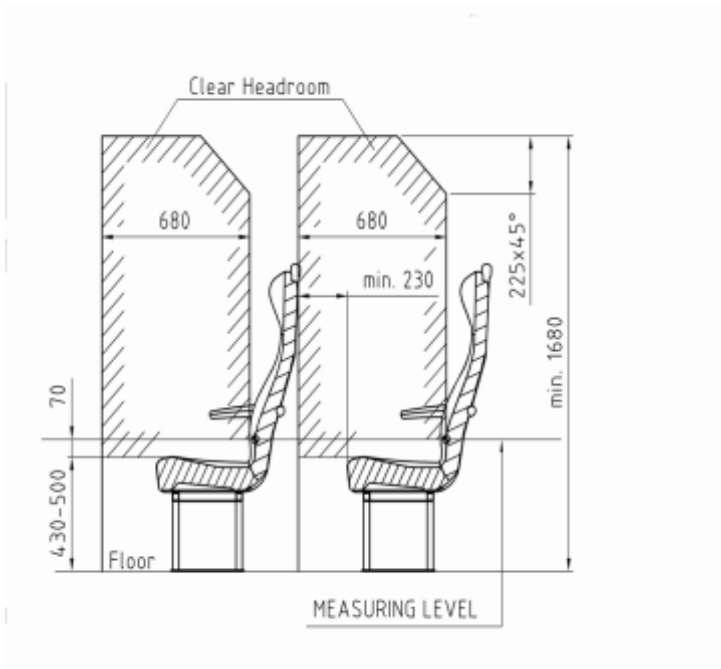
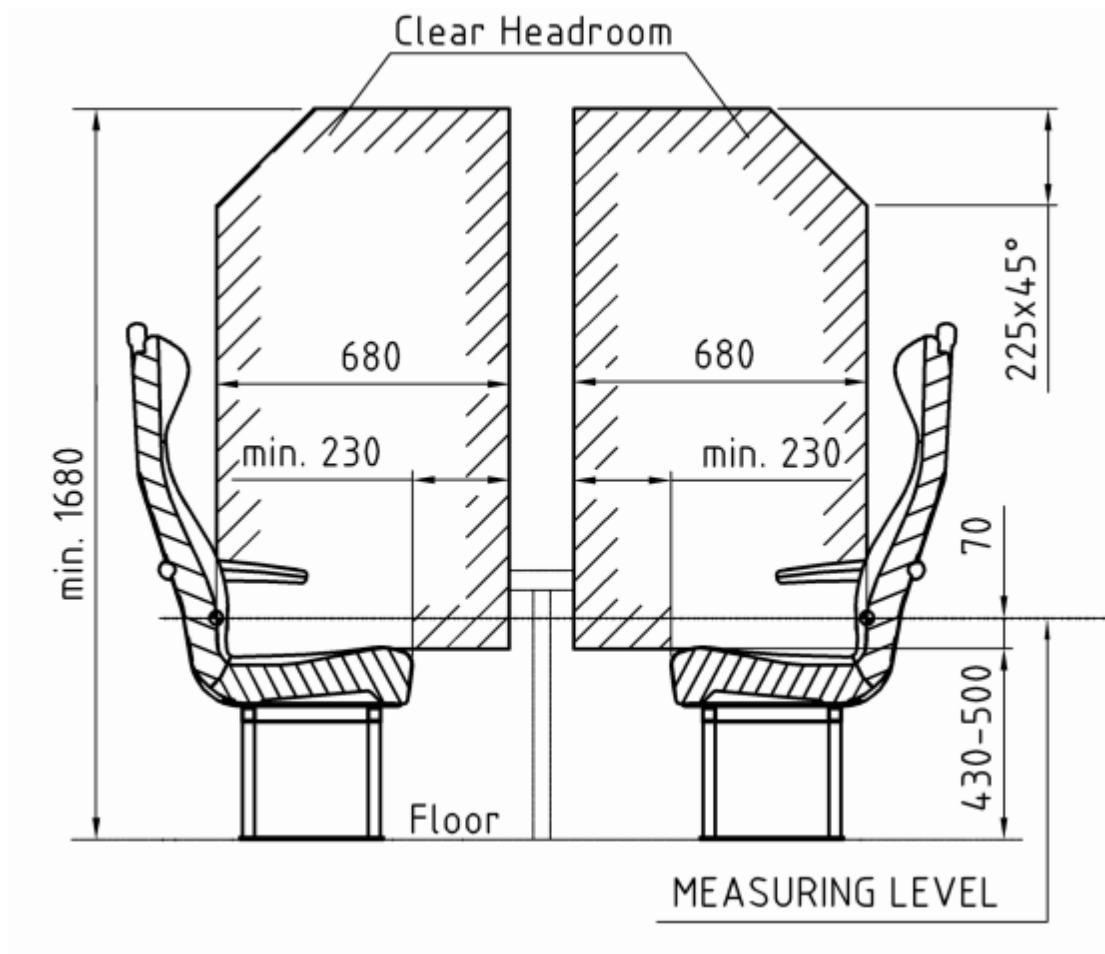


Diagram C4 (facing seats with table)

(Schedule 1, paragraph 13(3) and (7) (d))



(Note: Minimum clearance of 230 mm required between edge of seat and edge of table to ensure passengers can access and exit seat space standing upright without having to bend their knees).

Diagram D1 (hinged handrail – plan view)

(Schedule 1, paragraph 16(1) (f) (iii))

Status: This is the original version (as it was originally made).

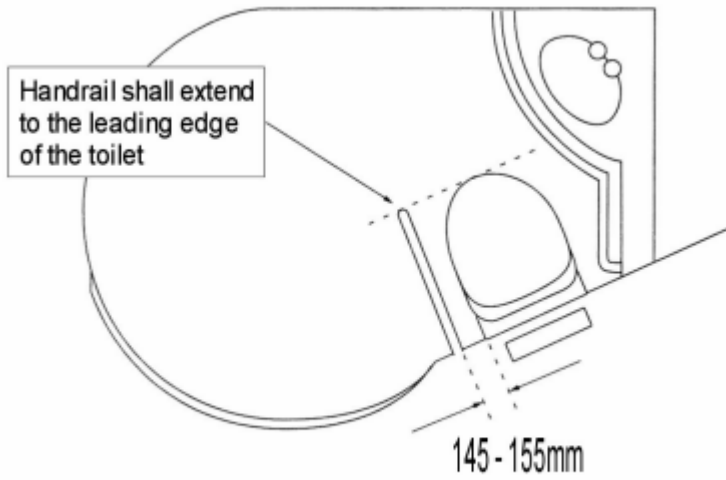


Diagram D2 (hinged handrail - elevation)

(Schedule 1, paragraph 16(1) (f) (iv))

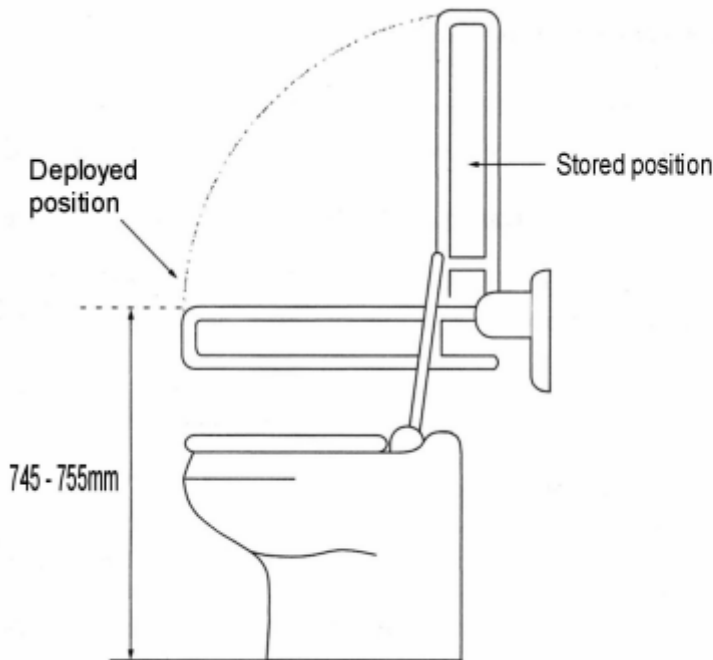


Diagram E (alternative wheelchair space sign)

(Schedule 1, paragraph 20(7) and (8))

Status: This is the original version (as it was originally made).

